

IB005



OVERVIEW

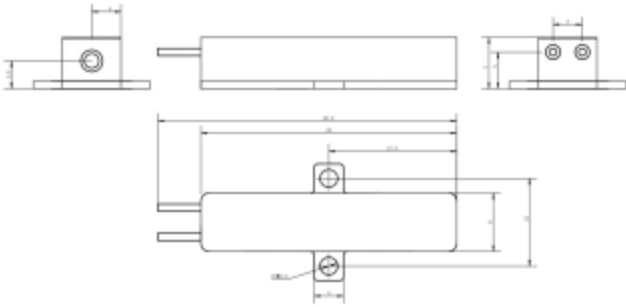
The erbium glass laser emits at a eye-safe wavelength of 1.54 μ m and offers high beam quality within the atmospheric window. With a pulse energy of 500 μ J, it is suitable for eye-safe laser ranging. This laser exhibits low power consumption, high peak power, narrow pulse width, compact size, and does not require temperature control. It has been proven to be a safe, efficient, and stable eye-safe laser solution.



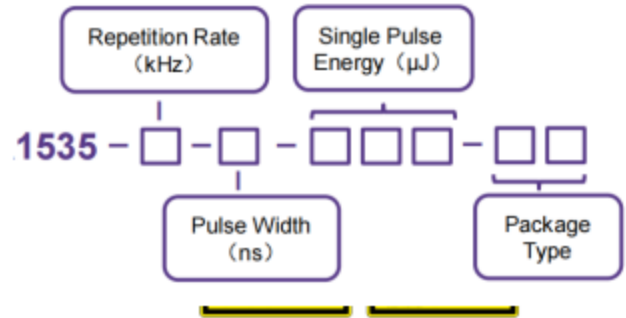
TECHNICAL SPECIFICATIONS

Wavelength	1535 nm
Pulse energy (Min./Typ.)	$\geq 500 \mu\text{J}$
Pulse width, Typ.(FWHM)	5 ns
Pulse repetition rate	1~10Hz
Pulse stability	10%
Spots diameter	0.3mm
Beam divergence angle	10 mrad
Spots mode	TEM00
Operating temperature	-45 °C~+65 °C
Storage temperature	-55 °C~+85 °C
Impact	1500 G, 0.5 ms
Vibration	20~2000 Hz/20 G
Life span	>50 million shots
Dimension (mm)	32x8x7
Weight	10g
Voltage	2 V
Current	20 A
Pulse width	$\geq 2.4\text{ms}$

▶ MECHANICAL DIMENSION (mm)

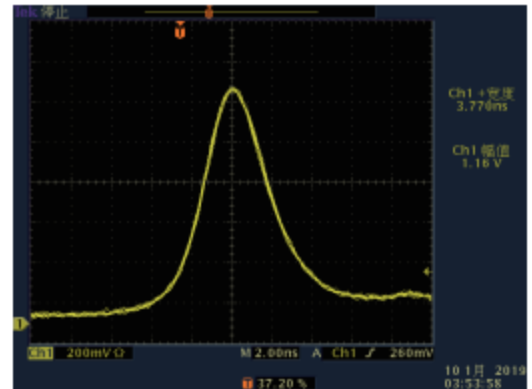


▶ PART NUMBERING SCHEMA

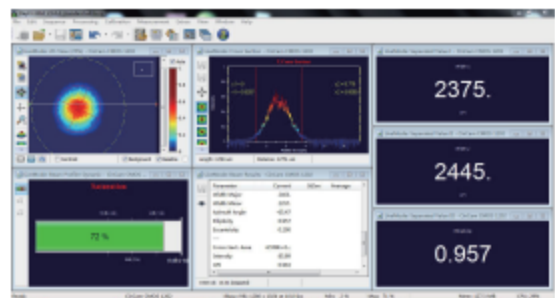


▶ PIN DESCRIPTIONS

Pin	Function
1	Laser (+)
2	Laser (-)



Typical Pulse



Beam Profile

