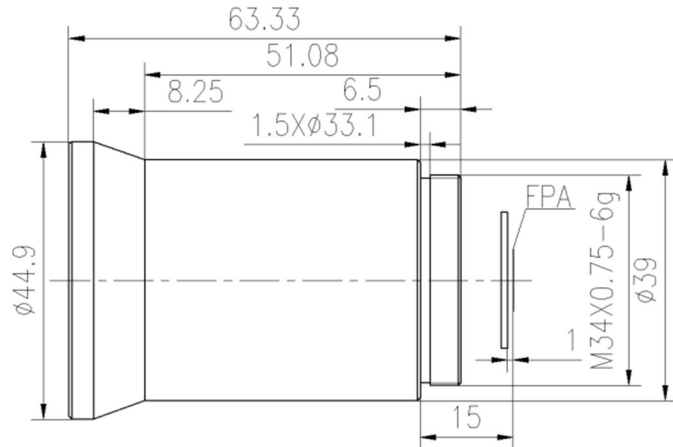


# CZ1280-L-21-1,0-A 21mm f/1.0 Optical Athermalized Infrared Lens



HFOV	160x120	320x240	336x256	384x288	640x480	640x512	1024x768	1280x1024
17μm	7.4 °	14.8 °	15.5 °	17.7 °	29.0 °	29.0 °		
14μm	6.1 °	12.2 °	12.8 °	14.6 °	24.1 °	24.1 °	37.7 °	
12μm	5.2 °	10.4 °	11.0 °	12.5 °	20.7 °	20.7 °	32.6 °	40.2 °

## Optical

Focal Length  
F/#  
Wavelength  
Format

21mm  
1.0  
8-12μm  
Ø20

## Mechanical

Focus Mechanism  
Dimensions (mm)  
Weight

Fixed Athermalized  
Ø44.9 x 62.33  
<146.2g

## Environmental

Sealing  
Operating Temperature  
External Coating

IP 67  
-40°C to +80°C  
DLC/AR