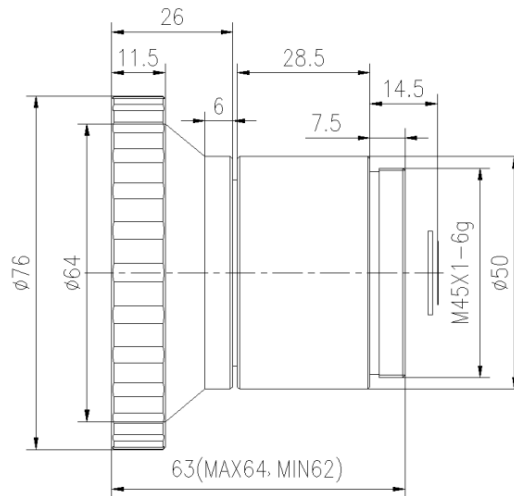


## CH612-L-4,8-1,0-M



HFOV	160x120	320x240	336x256	384x288	640x480	640x512
25 $\mu$ m	45.2 °	79.6 °	82.4 °	90.0 °		
17 $\mu$ m	31.6 °	59.1 °	61.5 °	68.4 °	102.0°	102.0°
12 $\mu$ m	22.6 °	43.6 °	45.6 °	51.3 °	77.3 °	77.3 °

### Optical

Focal Length	4.8mm
F/#	1.0
Wavelength	8-12 $\mu$ m
Focus Range	0.2m-Infinity
Format	Ø14

### Mechanical

Interface	Thread
Focus Mechanism	Manual
Dimensions (mm)	Ø76x63
Weight	≤320g

### Environmental

Operating Temperature	-40°C to +60°C
Storage Temperature	-45°C to +65°C
Front Element Sealing	IP67
External Coating	DLC/AR