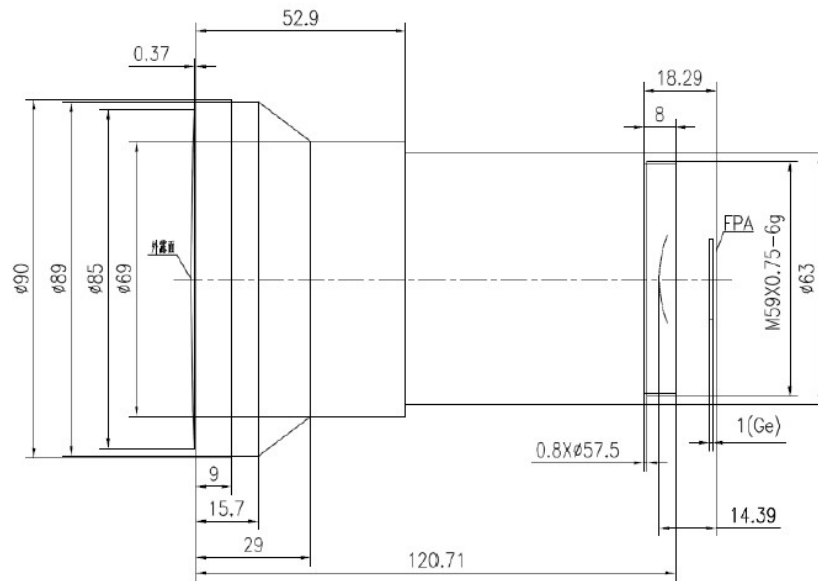


CH-L-110-1,3-A 110mm f/1.3 Optical Athermalized Infrared Lens



HFOV	160x120	320x240	336x256	384x288	640x480	640x512	1024x768	1280x1024
25 μ m	2.1 °	4.2 °	4.4 °	5.0 °				
17 μ m	1.4 °	2.8 °	3.0 °	3.4 °	5.7 °	5.7 °		
12 μ m	1.0 °	2.0 °	2.1 °	2.4 °	4.0 °	4.0 °		

Optical

Focal Length	110mm
F/#	1.3
Detector	640x512, 17 μ m
Wavelength	8-12 μ m
Format	Ø14

Mechanical

Interface	Thread
Focus Mechanism	Fixed Athermalized
Dimensions (mm)	Ø90x120.71
Weight	< 539g

Environmental

Front Element Sealing	IP67
Operating Temperature	-40°C to +80°C
Storage Temperature	-50°C to +85°C
External Coating	AR/DLC