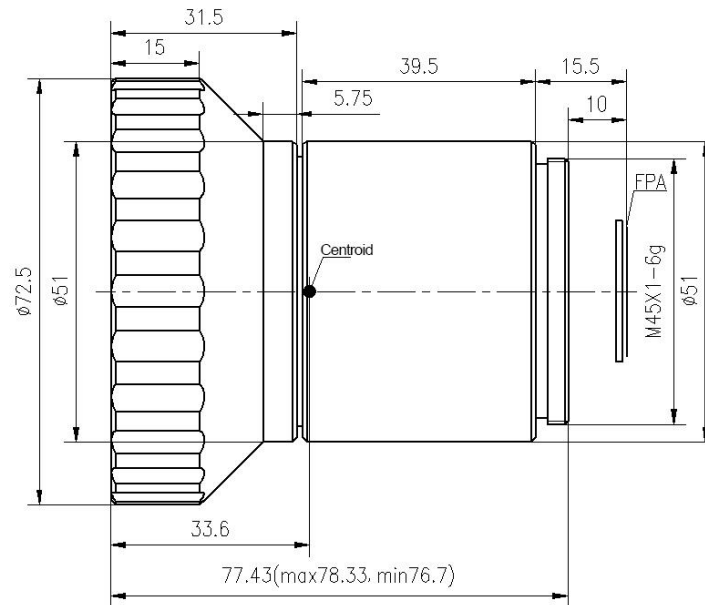


# CH1280-L-13-1,0-A 13mm f/1.0 Optical Athermalized Infrared Lens



HFOV	160x120	320x240	336x256	384x288	640x480	640x512	1024x768	1280x1024
25 $\mu$ m	17.5 °	34.2 °	35.8 °	40.5 °	63.2 °	63.2 °		
17 $\mu$ m	11.9 °	23.6 °	24.8 °	28.2 °	45.4 °	45.4 °	67.6 °	
12 $\mu$ m	8.4 °	16.8 °	17.6 °	20.1 °	32.9 °	32.9 °	50.6 °	61.1 °

## Optical

Focal Length	13mm
F/#	1.0
Wavelength	8-12 $\mu$ m
Focus Range	1m-Infinity
Format	$\phi 21.8$

## Mechanical

Interface	Thread
Focus Mechanism	Fixed Athermalized
Dimensions (mm)	$\phi 72.5 \times 77.43$
Weight	< 275g

## Environmental

Sealing	IP 67
Operating Temperature	-40°C to +60°C
Storage Temperature	-45°C to +65°C
External Coating	HD/AR/DLC