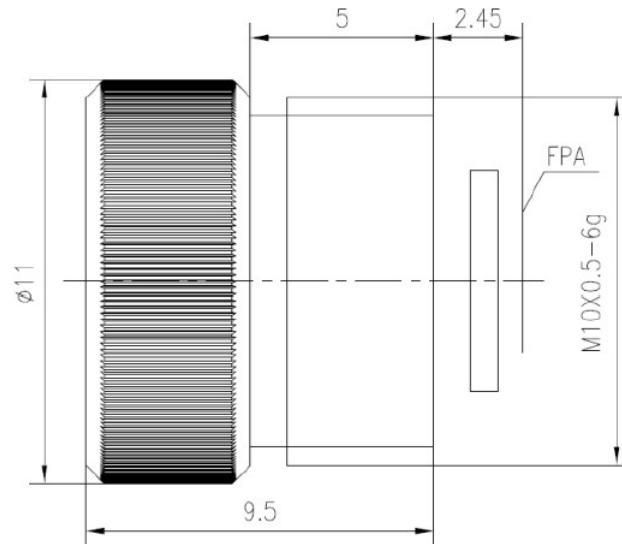


Athermalized Infrared Lens

CH-L-3-1,0-A 3mm f/1.0 Optical Athermalized Infrared Lens



HFOV	80x80
34μm	45.0 °

Optical

Focal Length	3mm
F/#	1.0
Detector	80x80, 34μm
Wavelength	8-12μm

Mechanical

Interface	Thread
Focus Mechanism	Fixed Athermalized
Dimensions (mm)	Ø11x9.5
Weight	<3g

Coating

External Coating	AR
------------------	----