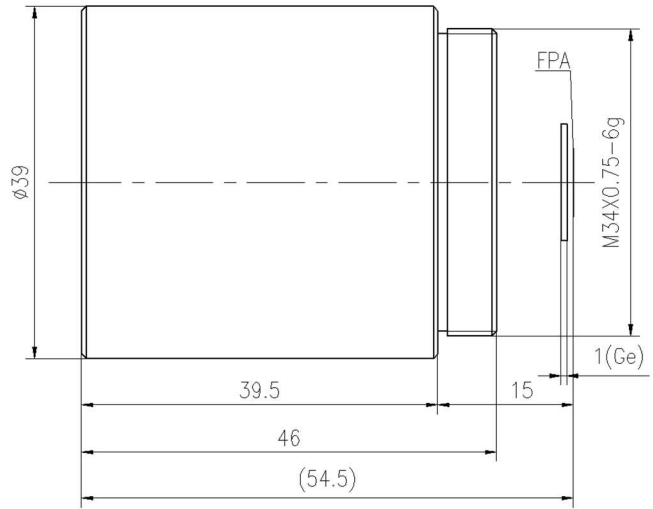
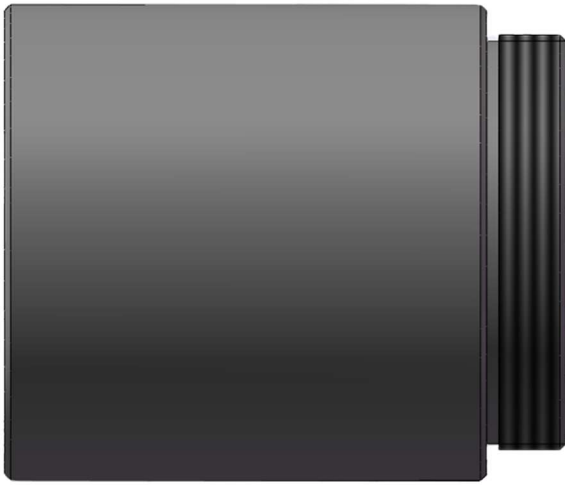


CK-L-21-1,0-A 21mm f/1.0 Optical Athermalized Infrared Lens



HFOV	160x120	320x240	336x256	384x288	640x480	640x512	1024x768	1280x1024
17 μ m	7.4 °	14.8 °	15.5 °	17.7 °	29.0 °	29.0 °		
14 μ m	6.1 °	12.2 °	12.8 °	14.6 °	24.1 °	24.1 °	37.7 °	
12 μ m	5.2 °	10.4 °	11.0 °	12.5 °	20.7 °	20.7 °	32.6 °	40.2 °

Optical

Focal Length	21mm
F/#	1.0
Wavelength	8-12 μ m
Format	$\phi 19.7$

Mechanical

Interface	Thread
Focus Mechanism	Fixed Athermalized
Dimensions (mm)	$\phi 34 \times 46$
Weight	<46g

Environmental

Sealing	IP 67
Operating Temperature	-40°C to +80°C
External Coating	DLC/AR