

7000 series CamraLink single-port CL camera

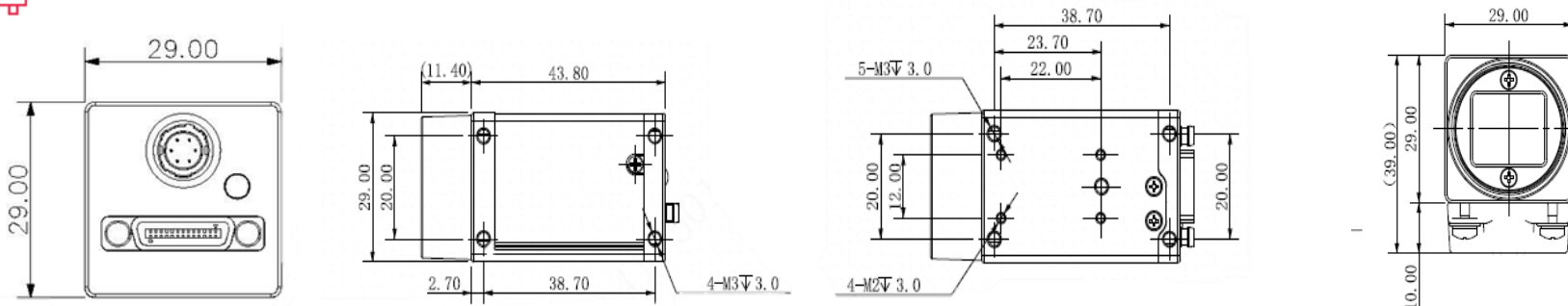
CameraLink interface supports base mode and maximum 2.5G bps bandwidth;
 Support software trigger/hardware trigger/free run mode;
 Support multiple image formats output, ROI and mirroring mode;
 Comply with CameraLink V2.0 and GenICam;
 Conform to GenCP V1.1 standard communication protocol;
 Support PoCL power supply and external power supply;
 Conform to CE, FCC, UL and RoHS certifications;



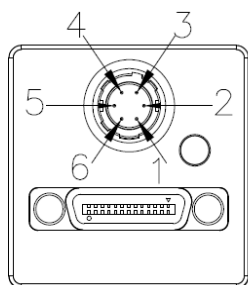
Model	Sensor	Sensor type	Shutter	Resolution	Max.FPS	Bit depth	Interface	Color/Mono	Pixel size	Sensor size
A7A20MK401E	IMX304	CMOS	Global	4096 x 3000	20	10	CameraLink	Mono	3.45x3.45	1.1"
A7A20CK401E	IMX304	CMOS	Global	4096 x 3000	20	10	CameraLink	Color	3.45x3.45	1.1"

Model	A7A20MK401E	A7A20CK401E
Effective pixels	12MP	
SNR	>38dB	
Dynamic range	70dB	
GPIO	6-pin Hirose interface: 1 opto-isolated input, 1 opto-isolated output, 1 configurable input/output without isolation;	
Pixel clock	34M/51M/68M/85M	
Pixel format	Mono8/10	BayerRG8/BayerRG10
Binning	Not support	
Decimation	Not support	
ROI	Support	
X reverse	Support	
Y reverse	Support	
Gain	X1~X32	
Shutter	29μS ~ 1S	
Sync mode	Software trigger/Hardware trigger/Free run mode	
Image buffer	Not support	
User set	Support 2 sets of user-defined configurations;	
Dimension	29mm*29mm*43.8mm(not including lens mount and rear case connector)	
Weight	80g	
Power supply	PoCL or DC6~24V powers supply via Hirose connector	
Power consumption	≈2.4W	
Lens mount	C	
Temperature	Storage temperature: -30°C~+80°C; Operating temperature: -30°C~+50°C	

Structure dimension(unit: mm)

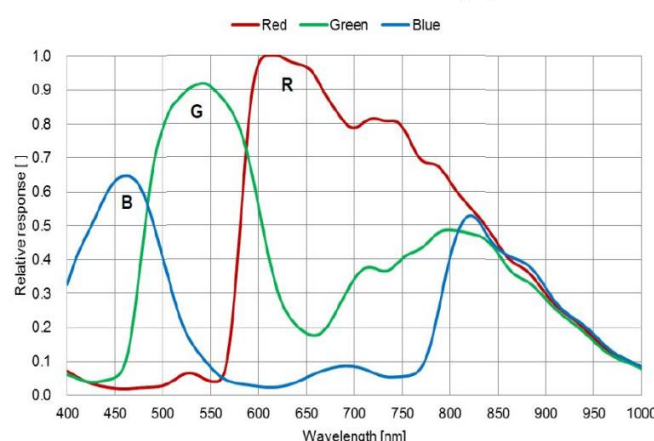
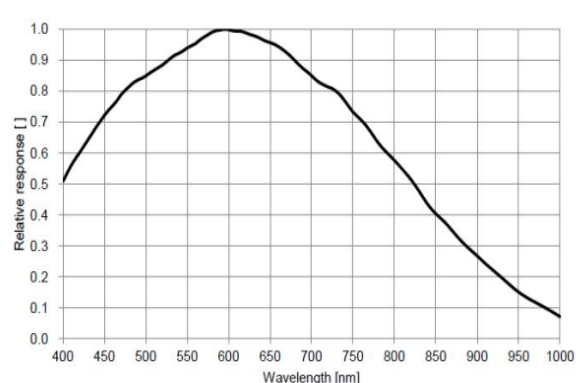


I/O Interface description



PIN	Signal	Description
1	Power	DC+6V~24V Camera power
2	Line1	Opto-isolated input
3	Line2	GPIO(bidirectional I/O without isolation)
4	Line0	Opto-isolated output
5	Opto I/O GND	Opto-isolated GND
6	Camera/GPIO GND	GPIO/Camera GND

Spectrogram



Accessories(optional)

1	Lens	C mount lens(optimal)	
2	Cable	Cameralink cables (optional)	