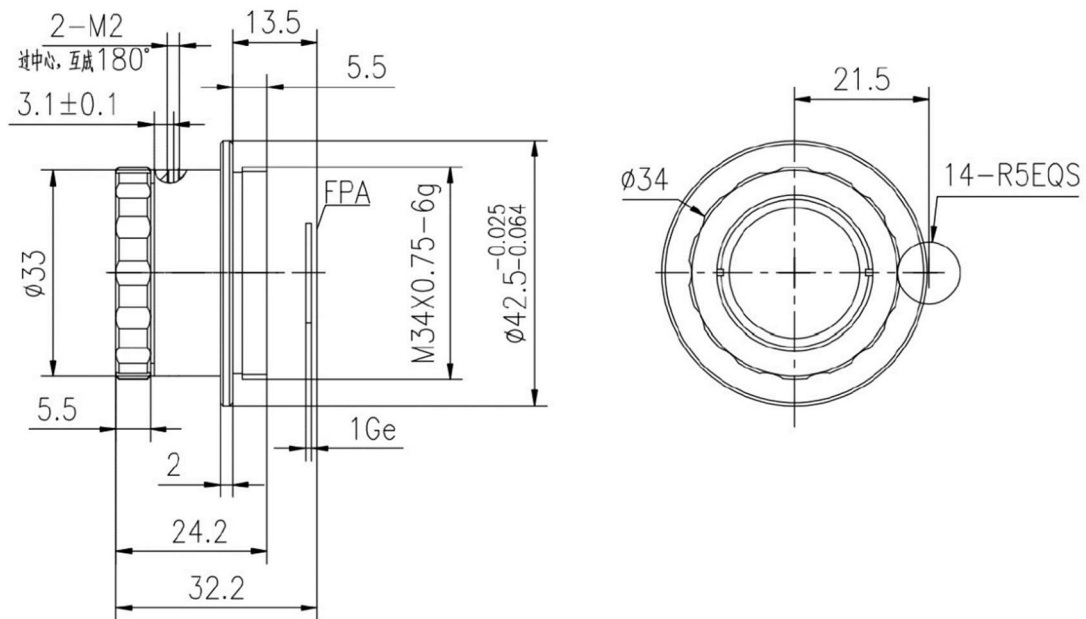


CZ-L-15-1,0-A 15mm f/1.0 Optical Athermalized Infrared Lens



HFOV	160x120	320x240	336x256	384x288	640x480	640x512	1024x768	1280x1024
25µm	15.2 °	29.9 °						
17µm	10.4 °	20.6 °	21.6 °	24.6 °	39.9 °	39.9 °		
12µm	7.3 °	14.6 °	15.3 °	17.5 °	28.7 °	28.7 °		

Optica

Focal Length	15mm
F/#	1.0
Detector	640x512, 17µm
Wavelength	8-12µm
Format	Ø14

Mechanical

Interface	Thread
Focus Mechanism	Fixed Athermalized
Dimensions (mm)	Ø33.0(Max.42.5) x 24.2
Weight	<50g

Environmental

Sealing	IP 67
Operating Temperature	-40°C to +80°C
External Coating	AR