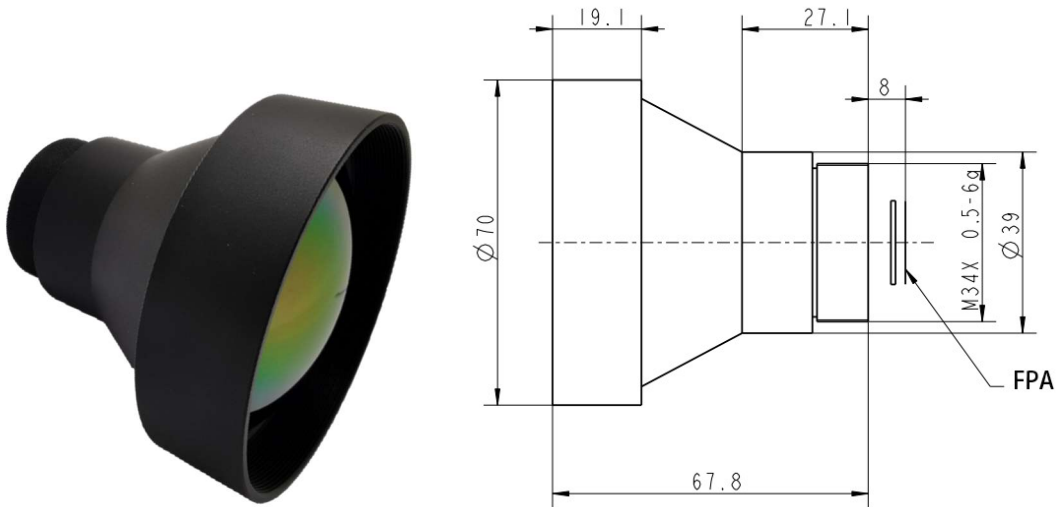


CM-L-75-1,2-A 75mm f/1.2 Optical Athermalized Infrared Lens



HFOV	160x120	320x240	336x256	384x288	640x480	640x512	1024x768	1280x1024
25 μ m	3.1 °	6.1 °	6.4 °	7.3 °				
17 μ m	2.1 °	4.2 °	4.4 °	5.0 °	8.3 °	8.3 °		
12 μ m	1.5 °	2.9 °	3.1 °	3.5 °	5.9 °	5.9 °		

Optical

Focal Length
F/#
Wavelength

75mm
1.2
8-12 μ m

Mechanical

Interface
Focus Mechanism
Dimensions (mm)
Weight

Thread M34x0.5
Fixed Athermalized
 \varnothing 70x67.8
222g

Environmental

Sealing
Operating Temperature
External Coating

IP 67
-40°C to +60°C
AR