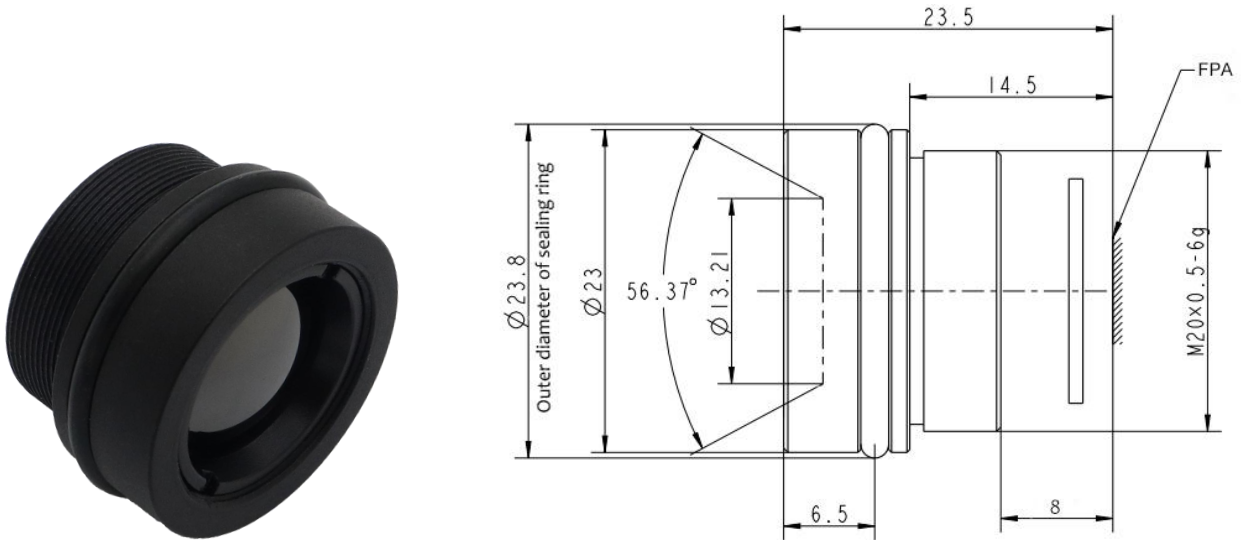


CX-L-13-1,0-A13mm f/1.0 Optical Athermalized Infrared Lens



HFOV	160x120	320x240	336x256	384x288	640x480	640x512
25 μ m	17.5 °	34.2 °	35.8 °	40.5 °		
17 μ m	11.9 °	23.6 °	24.8 °	28.2 °	45.4 °	45.4 °
12 μ m	8.4 °	16.8 °	17.6 °	20.1 °	32.9 °	32.9 °

Optical

Focal Length	13mm
F/#	1.0
Wavelength	8-12 μ m
Focus Range	1m-Infinity

Mechanical

Interface	Thread
Focus Mechanism	Fixed Athermalized
Dimensions (mm)	\varnothing 23x15.5
Weight	\leq 21.5g

Environmental

Sealing	IP 67
Operating Temperature	-40°C to +60°C
Storage Temperature	-45°C to +65°C
External Coating	DLC