

5000 Series USB3.0 Area Scan Camera

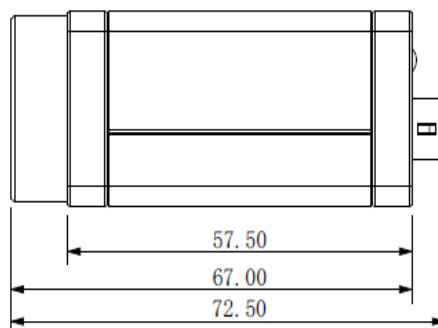
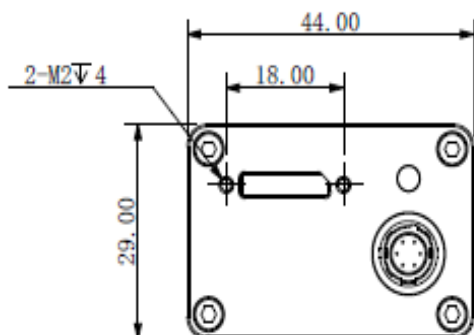
A5B57MU200E

Product Features

- USB3.0 interface, 5Gbps theoretical transfer bandwidth, power supply via USB interface;
- Compact size of 29mmx44mmx58mm;
- 256MB on-board cache for data transmission or image resend;
- Support Software Trigger/Hardware Trigger/Free Run Mode;
- Support ISP functions including Sharpness/Denoising/Gamma/LUT/BlackLevel Correction/TargetBrightness/Contrast etc.;
- Support multiple image data formats output/Binning/ROI/Mirror, etc.;
- Compatible with USB3.0 Vision protocol and GenICam standard;
- Conform to CE, FCC, RoHS;



Dimensions (mm)



Technical Specifications

Model Name	A5B57MU200E
Sensor	GMAX0505
Sensor Type	1.1" CMOS
Shutter	Global
Resolution	5120 x 5120
Frame Rate	14
Bit Depth	12
Mono/Color	Mono
Pixel Size	2.5 x 2.5
Pixel	25MP
S/N Ratio	35dB
WDR	64dB
Image Format	Mono8/10/10Packed
Binning	Support
ROI	Support
X-axis Flip	Support
Y-axis Flip	Support
Gain	1~32
Gamma	From 0 ~ 4, support LUT
Exposure Time	5μS~1S
Sync Mode	Software Trigger/Hardware Trigger/Free Run Mode
SPC	Support
User Setting	Support two sets of user-defined configurations
Cache	128MB image cache
Port	USB3.0
GPIO	1x Opto-isolated input, 1x Opto-isolated output, 1 configurable input and output
Lens Mount	C-Mount
Power Supply	Power supply via USB interface/ DC 9V~24V power supply via Hirose interface
Power Consumption	≈4.0W
Dimensions	29mm*44mm*58mm (not including lens mount and rear case connector)
Weight	100g
Working Environment	Storage: - 30°C~+80°C; Operation: - 30°C~+50°C

© 2021 IRAYPLE. All rights reserved. Design and specifications are subject to change without notice.
Pictures in the document are for reference only, and the actual product shall prevail.