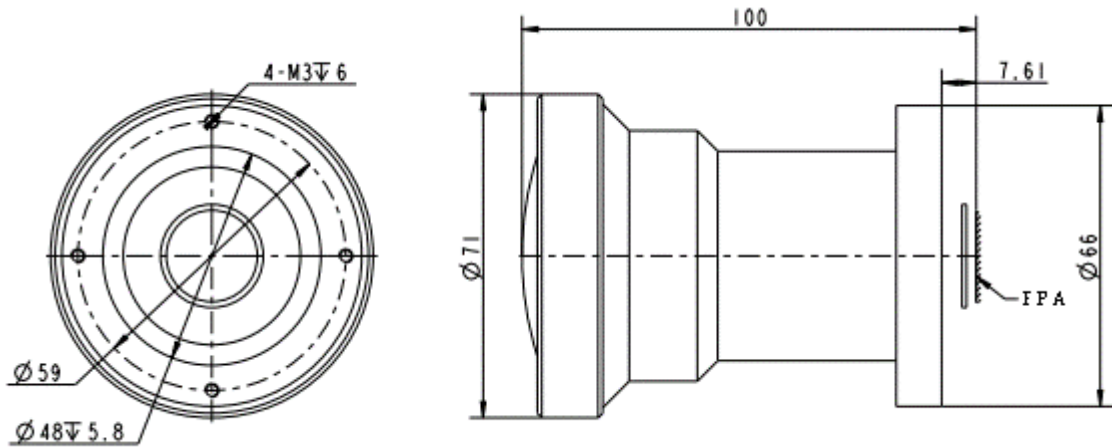


# CH1280-L-7,5-1,2-A 7.5mm f/1.2 Optical Athermalized Infrared Lens



Focal Length  
F/#  
Wavelength  
Detector  
FOV

## Optical

7.5mm  
1.2  
8-12 $\mu$ m  
1280x1024 - 12 $\mu$ m  
95° x 81.2°

Interface  
Focus Mechanism  
Dimensions (mm)  
Weight

## Mechanical

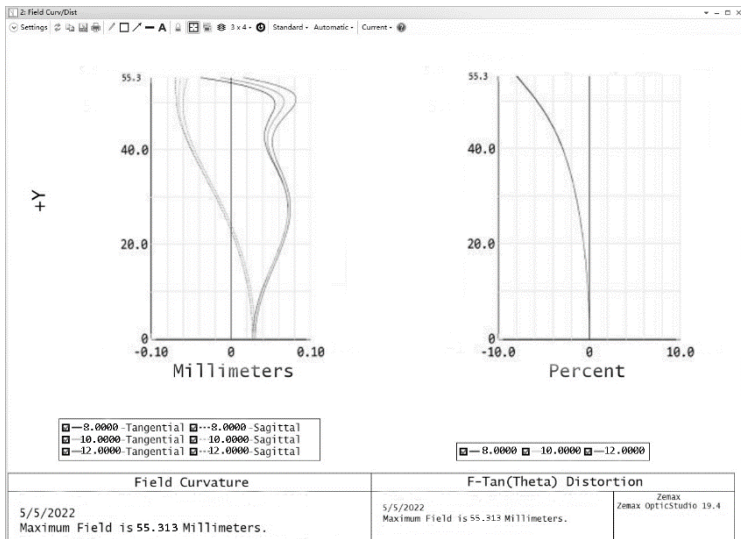
Flange  
Fixed Athermalized  
 $\varnothing$ 71x92.39  
465g

Sealing  
Operating Temperature  
Storage Temperature  
External Coating

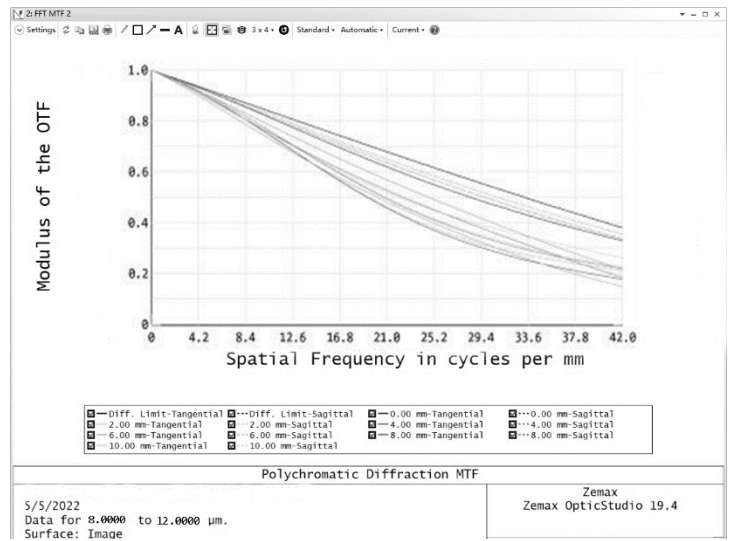
## Environmental

IP 67  
-40°C to +60°C  
-45°C to +65°C  
AR

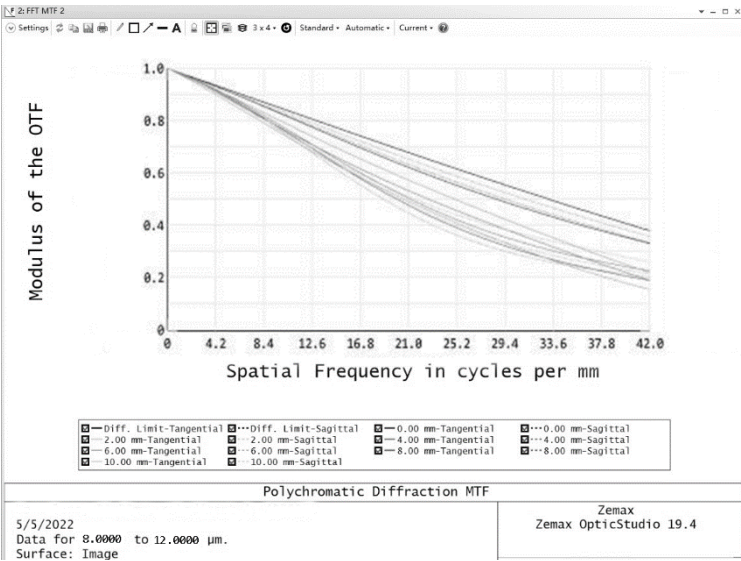
# Optic indexes



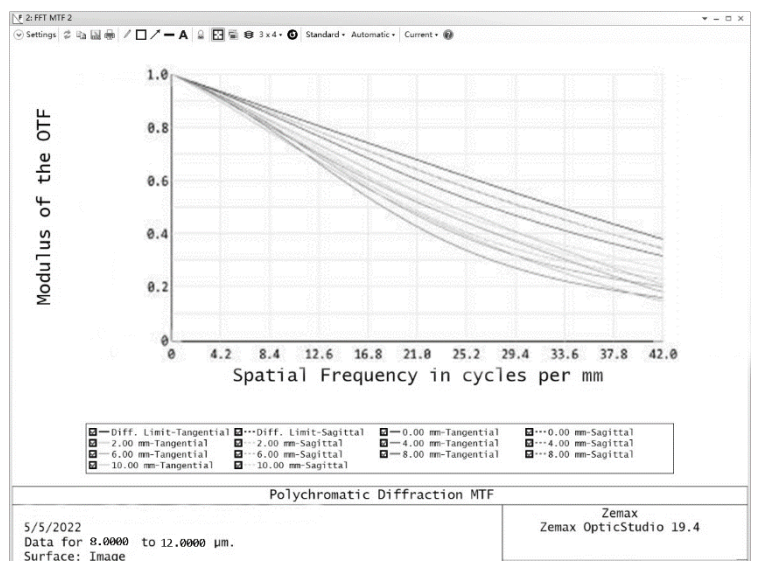
Field Curv/Dist



MFT@20°C



MFT@40°C



MFT@60°C