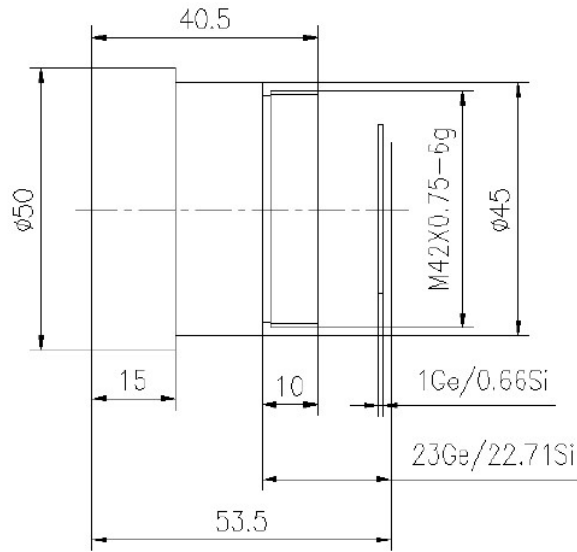


CH-L-30-1,0-A 30mm f/1.0 Optical Athermalized Infrared Lens



HFOV	160x120	320x240	336x256	384x288	640x480	640x512	1024x768	1280x1024
25 μ m	7.6 °	15.2 °		18.2 °		29.9 °		
17 μ m			10.9 °	12.4 °	20.6 °	20.6 °		
12 μ m						14.6 °	23.1 °	28.7

Optical

Focal Length	30mm
F/#	1.0
Average transmission	86%
Wavelength	8-12 μ m
Focus Range	3m-Infinite
Format	\varnothing 20

Mechanical

Interface	Thread
Focus Mechanism	Fixed Athermalized
Dimensions (mm)	\varnothing 50x40.5
Weight	<185g

Environmental

Sealing	IP 67
Operating Temperature	-40°C to +60°C
External Coating	DLC