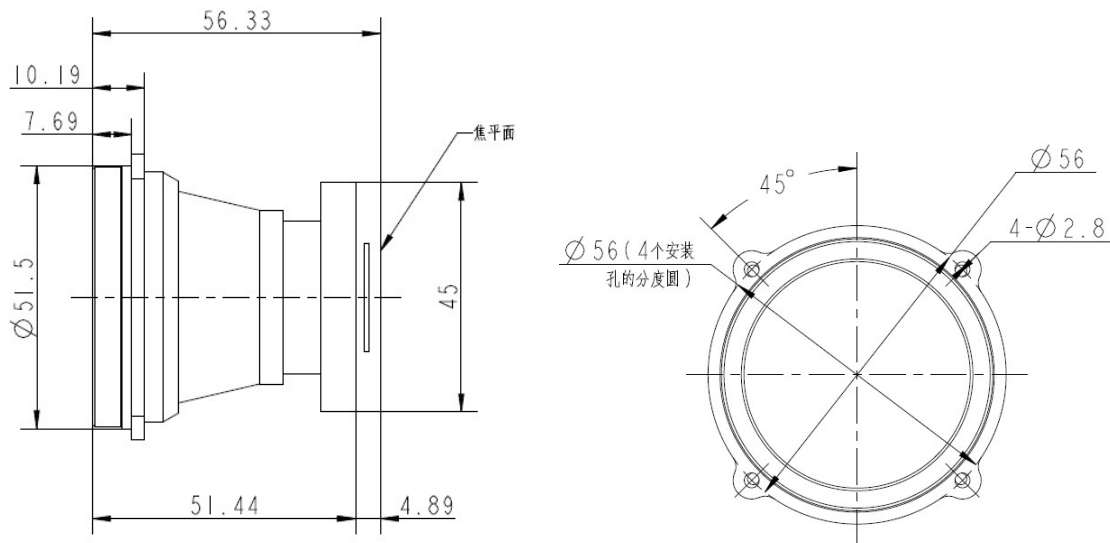


CH1280-L-45-1,1-A 45mm f/1.1 Optical Athermalized Infrared Lens



HFOV	160x120	320x240	336x256	384x288	640x480	640x512	1024x768	1280x1024
25μm	5.1 °	10.2 °	10.7 °	12.2 °				
17μm	3.5 °	6.9 °	7.3 °	8.3 °	13.8 °	13.8 °		
12μm	2.4 °	4.9 °	5.1 °	5.9 °	9.8 °	9.8 °	15.5 °	19.4 °

Optical

Focal Length	45mm
F/#	1.1
Detector	1280X1024, 12μm
Wavelength	8-12μm

Mechanical

Interface	Thread
Focus Mechanism	Fixed Athermalized
Dimensions (mm)	Ø56.33x51.5
Weight	130g

Environmental

Sealing	IP 67
Operating Temperature	-40°C to +60°C
Storage Temperature	-50°C to +70°C
External Coating	DLC