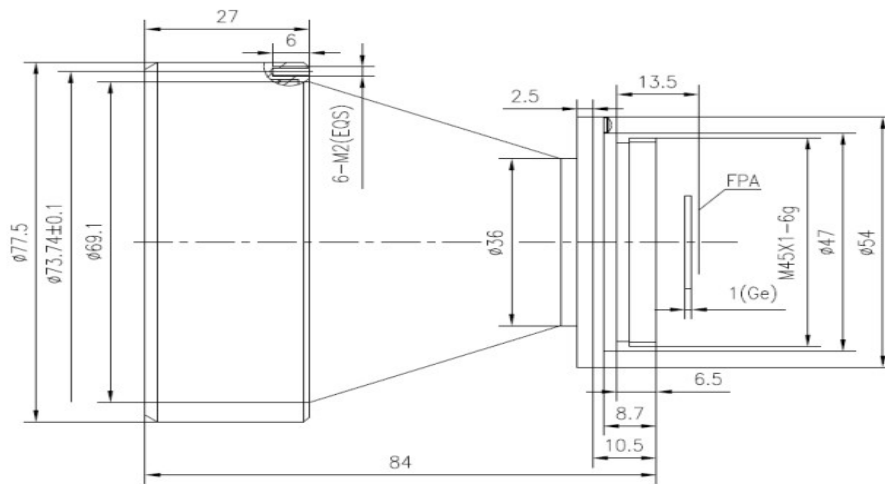


CH-L-75-1,1-A 75mm f/1.1 Optical Athermalized Infrared Lens



HFOV	160x120	320x240	336x256	384x288	640x480	640x512	1024x768	1280x1024
25µm	3.1 °	6.1 °	6.4 °	7.3 °				
17µm	2.1 °	4.2 °	4.4 °	5.0 °	8.3 °	8.3 °		
12µm	1.5 °	2.9 °	3.1 °	3.5 °	5.9 °	5.9 °		

Optical

Focal Length	75mm
F/#	1.1
Detector	640x512, 17µm
Wavelength	8-12µm
Focus Range	15m-Infinity
Format	Ø14

Mechanical

Interface	Thread M34X0.5
Focus Mechanism	Fixed Athermalized
Dimensions (mm)	Ø77x84
Weight	<345g

Environmental

Sealing	IP 67
Operating Temperature	-40°C to +80°C
Storage Temperature	-50°C to +85°C
External Coating	DLC