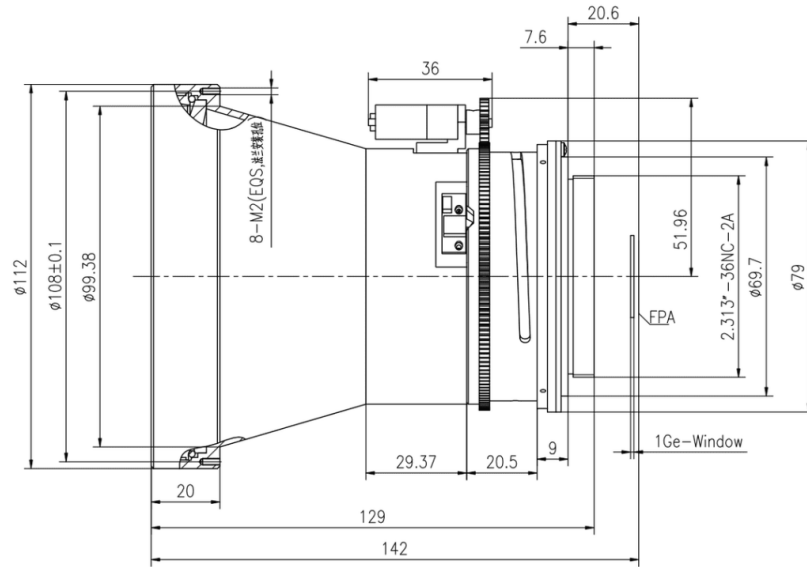


# CH1280-L-100-1,0-E

## 100mm f/1.0 Motorized Infrared HD Lens



HFOV	160x120	320x240	336x256	384x288	640x480	640x512	1024x768	1280x1024
25 $\mu$ m	2.3°	4.6°	4.8°	5.5°				
17 $\mu$ m	1.6°	3.1°	3.3°	3.7°	6.2°	6.2°	9.9°	
12 $\mu$ m	1.1°	2.2°	2.3°	2.6°	4.4°	4.4°	7.0°	8.8°

### Optical

Focal Length	100mm
F/#	1.0
Wavelength	8-12 $\mu$ m
Focus Distance	10m - Infinity

### Mechanical

Interface	Thread
Focus Mechanism	Motorized
Dimensions (mm)	Ø112x129
Weight	< 776g

### Electrical & Communications

Power Input	DC 6-12V
Communications	NA

### Environmental

Operating Temperature	-40°C to +60°C
Storage Temperature	-50°C to +80°C
Front Element Sealing	IP67
External Coating	DLC