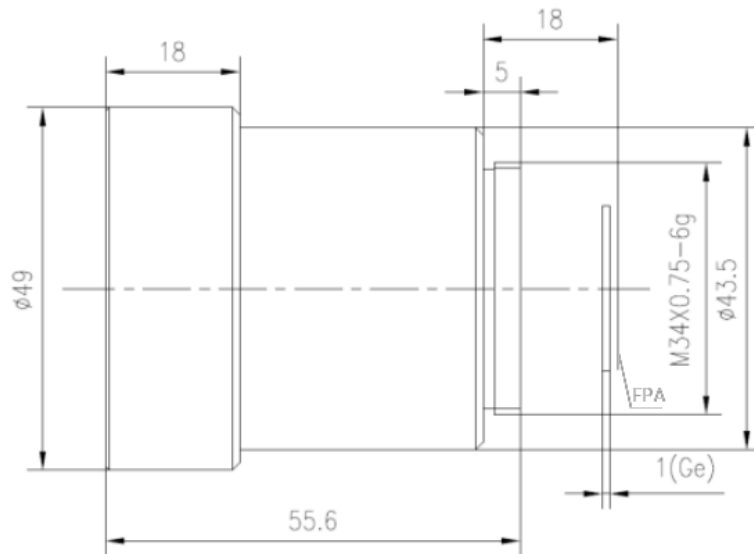


CK-L-50-1,2-A 50mm f/1.2 Athermalized Infrared Lens



HFOV	160x120	320x240	336x256	384x288	640x480	640x512	1024x768	1280x1024
25μm	4.6°	9.1°	9.6°	11.0°	18.2°	18.2°		
17μm	3.1°	6.2°	6.5°	7.5°	12.4°	12.4°	19.8°	
12μm	2.2°	4.4°	4.6°	5.3°	8.8°	8.8°	14.0°	

Optical

Focal Length	50mm
F/#	1.2
Format	Ø21.8

Mechanical

Interface	Thread
Focus Mechanism	Fixed Athermalized
Dimensions (mm)	Ø49x 55.6
Weight	<144g

Environmental

External Coating	AR
Sealing	IP 67
Operating Temperature	-40°C to +80°C