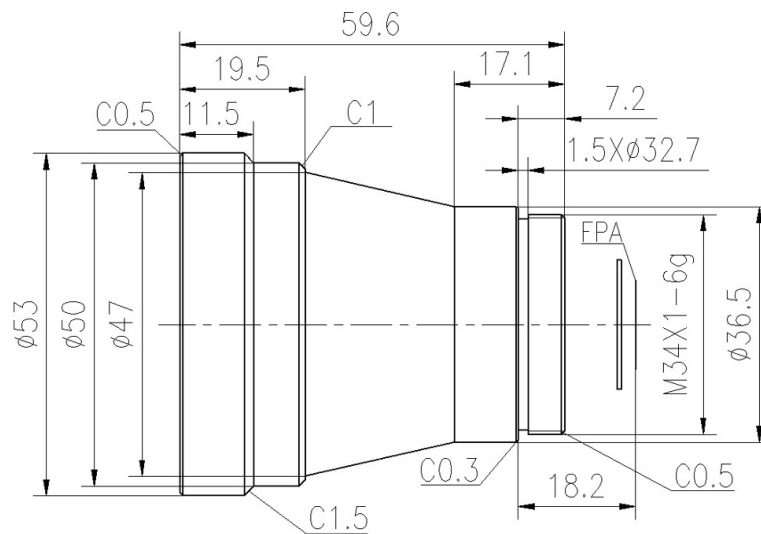


CZ-L-50-1,2-A 50mm f/1.2 Optical Athermalized Infrared Lens



HFOV	160x120	320x240	336x256	384x288	640x480	640x512	1024x768	1280x1024
25 μ m	4.6 °	9.1 °	9.6 °	11.0 °				
17 μ m	3.1 °	6.2 °	6.5 °	7.5 °	12.4 °	12.4 °		
12 μ m	2.2 °	4.4 °	4.6 °	5.3 °	8.8 °	8.8 °		

Optical

Focal Length	50mm
F/#	1.2
Wavelength	8-12 μ m

Mechanical

Interface	M34X1
Focus Mechanism	Fixed Athermalized
Dimensions (mm)	Ø53x59.6
Weight	< 143g

Environmental

Sealing	IP 67
Operating Temperature	-40°C to +80°C
Storage Temperature	-50°C to +85°C
External Coating	DLC/AR